

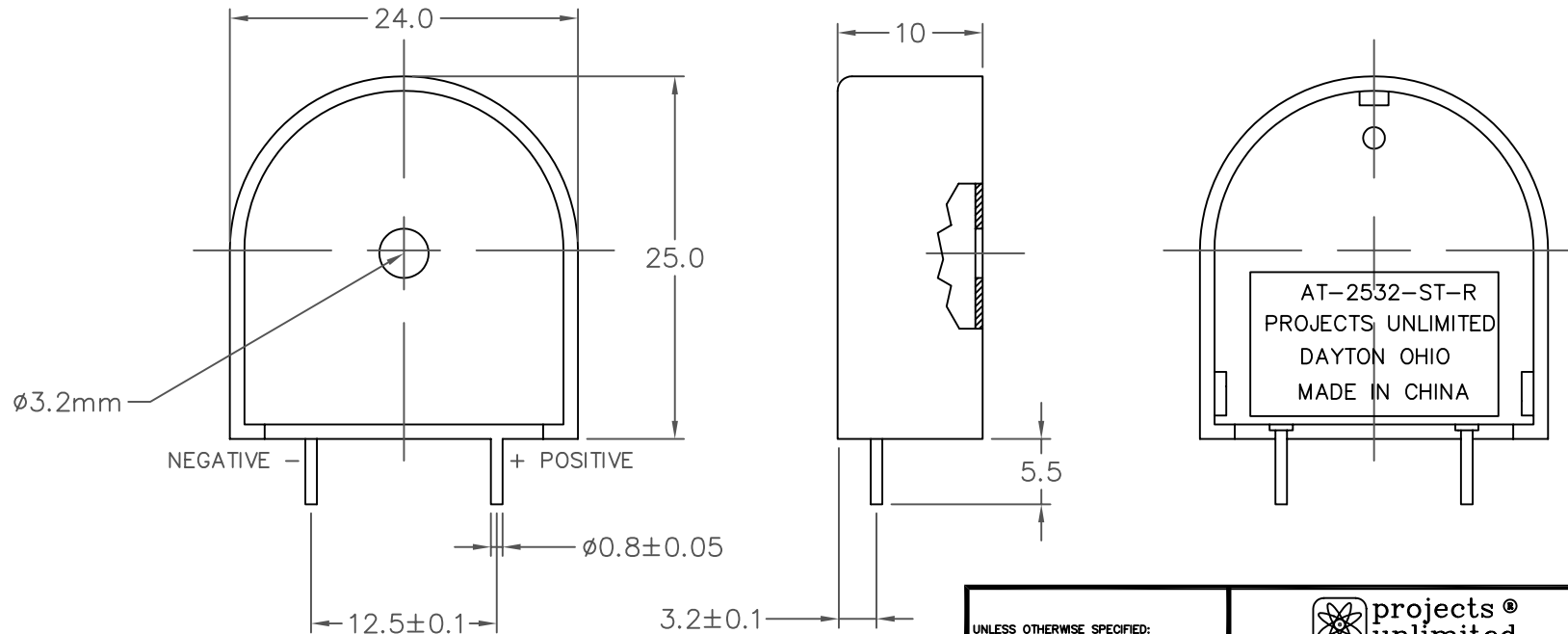
THIS DOCUMENT CONTAINS DATA PROPRIETARY TO PROJECTS UNLIMITED, INC. ANY USE OR REPRODUCTION, IN ANY FORM, WITHOUT PRIOR WRITTEN PERMISSION OF PROJECTS UNLIMITED, INC. IS PROHIBITED.  
© 2003, Projects Unlimited Inc.

### SPECIFICATIONS

PARAMETERS	VALUES	UNITS
RATED VOLTAGE (SQUARE WAVE)	10	Vp-p
OPERATING VOLTAGE RANGE	5 ~ 24	Vp-p
RATED CURRENT (MAX)	10	mA
CAPACITANCE	25,000±30%	pF
MINIMUM SPL @ 10 CM	90	dBA
RESONANT FREQUENCY	3,200±500	Hz
OPERATING TEMPERATURE	-30 ~ +115	°C
STORAGE TEMPERATURE	-40 ~ +125	°C
HOUSING MATERIAL	MPPO	-
TERMINAL MATERIAL	Sn PLATED COPPER	-
WEIGHT	3.7	grams

### REVISIONS

LTR	DESCRIPTION	DATE	APPROVED
-	RELEASED FROM ENGINEERING	8/17/05	



#### NOTES:

1. ALL DIMENSIONS ARE IN MILLIMETERS.
2. SPECIFICATION SUBJECT TO CHANGE OR WITHDRAWAL WITHOUT NOTICE.
3. THIS PART IS RoHS 2002/95/EC COMPLIANT.

FILE NAME  
AT-2532-ST-R.DWG

UNLESS OTHERWISE SPECIFIED:  
DIMENSIONS ARE IN MILLIMETERS, TOLERANCES ARE  $\pm 0.5$  AND ANGLES ARE  $\pm 3^\circ$ .

APPROVALS	DATE
DRAWN <i>J.A.F.</i>	8/05
APPROVED <i>E.P.</i>	8/05
<i>B.R.</i>	8/05

 **projects unlimited** Dayton, Ohio

TRANSDUCER(PIEZO)

SIZE **A** DRAWING NO. **AT-2532-ST-R**

DO NOT SCALE DRAWING

SCALE: N.T.S.

SHEET 1 OF 1